

With the years of engineering and experiences,
we provide you most reliable
portable fire pumps.



VC82ASE CE

2050 liter / min. at 0.6MPa
1800 liter / min. at 0.8MPa
1500 liter / min. at 1.0MPa

Portable Fire Pumps

Model VC82ASE

Engine	746cc Tohatsu 2 strokes, water-cooled gasoline engine
Authorized output	55PS (40.5kW)
Dry weight	94kg

Light weight and compact

- ▶ Engine and pump castings are made of anti-corrosive aluminum-alloy to reduce weight and prolong working life.

High pump performance with great discharge volume

- ▶ Both engine and pump of this model are designed and developed exclusively for fire pumps by Tohatsu, ensuring incredible compactness, higher performance for its class with excellent discharge volume (2050liter per minute at 0.6Mpa or 6Bar), and ideal structure for maintenance.

Quick priming

- ▶ Quick priming is provided by simple operating **Rotary vane vacuum pump**. The pump prime 3meters in only 5.5seconds.

TOHATSU Model VC82ASE Features

1 Centralized control

All gauges, throttle dial, control switches, and other warning lamps are grouped on the control panel for easy operation.

2 Cooling water recirculation system

Engine cooling water is returned to the pump without drainage outside of the pump, helping to keep surrounding area of the pump dry.

3 Unique auto choke carburetor

This device helps engine start easier in all seasonal temperature conditions.

4 Engine overheat protection sensor

Engine overheat protection device is provided on this model to safeguard against cooling water loss, and to protect engine when water is not discharged. This device shuts off engine automatically when engine temperature reaches 80 °C.

5 Stainless steel fuel tank

Integrated fuel tank with large capacity of 18liters ensures the fuel supply will last for 1 hour at least at maximum throttle opening and load.

6 Double swivel outlets rotating within a 90 degree

7 Electric starter with back up recoil starter

An electric starter and back-up recoil starter ensures quick starting engine under any conditions.

Accessories 1. Battery charger
2. Floodlight projector
3. Plastic toolbox

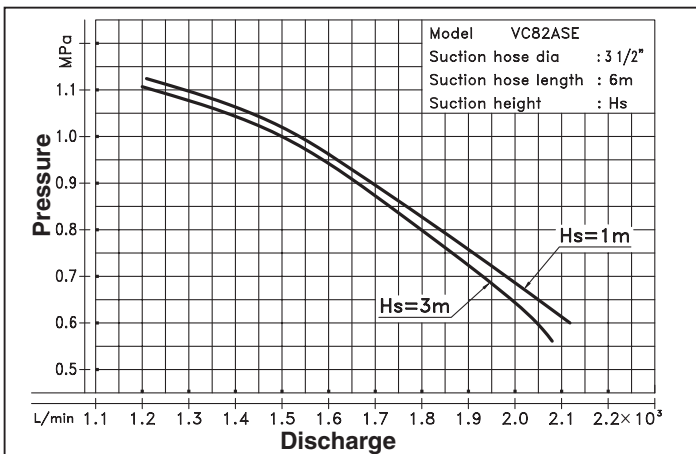
Adapters Some different type of adapters for suction port and discharge ports are available.

Specifications

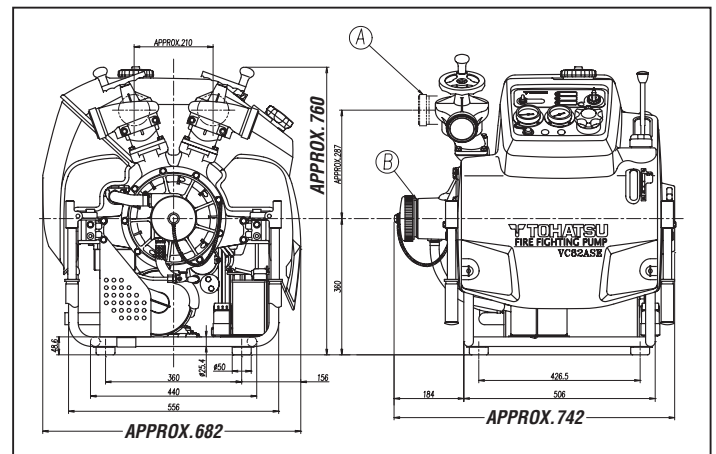
Model	VC82ASE
Engine	
Type	2-stroke, 2-cylinder, water cooled gasoline engine
Model	2WT76GA
Bore & Stroke, No. of cylinder	78mm x 78mm
Piston displacement	746cc
Authorized output	55PS (40.5 kW)
Fuel tank capacity	18 liters
Fuel consumption	20 liters/h
Ignition	Flywheel magneto (C.D.I. system)
Starting system	Electric starter and recoil
Lubrication	Auto mixing
Choke system	Auto choke system
Light bulb	12V-35W
Battery	12V-16Ah/5h
Pump	
Type	Single suction, single stage, high pressure turbine pump
Discharge port coupling	JIS fire thread (B-9912), 2-1/2" male ^{※1}
Suction port coupling	JIS fire thread (B-9912), 3-1/2" male ^{※2}
Priming	Rotary-vane vacuum pump (Oilless type)
Pump performance (Suction height: 3m)	
at 0.6 MPa	2,050 lit./min.
at 0.8 MPa	1,800 lit./min.
at 1.0 MPa	1,500 lit./min.
Dimensions and weight	
Overall Length x Width x Height	742mm x 682mm x 760mm
Mass	94kg
Max. suction height	Approx. 9m

※ 1 Factory option BSP or NST
※ 2 Factory option BSP or NST (4")

Performance curve



Outline drawing



Address: 5-4, Azusawa 3 chome, Itabashi-ku, Tokyo 174-0051
Phone: +81 (0) 3 3966 3115
Fax: +81 (0) 3 3966 2951
Web site: <http://www.tohatsu.co.jp>

Tohatsu reserves the right to change or improve the design of this model without prior notice.



ISO9001 : 2000, ISO14001 : 2004 Certified
Head office, komagane plant

090315-2-(夕)
Printed in Japan