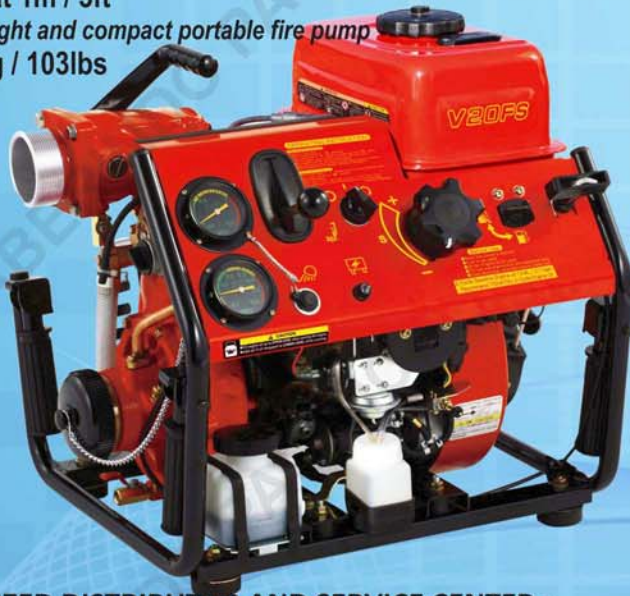




V20FS

525 lt/min @ 0.6 Mpa (6 Bar)
250 lt/min @ 0.8 Mpa (8 Bar)

- Superior discharge performance
525L/135Gal.@5Bar / 70Psi
- The best priming performance in the industry
Max. 9m / 30ft
- Extreme fast priming time with oil-less rotary vane vacuum pump system
3.7sec. at 1m / 3ft
- Ultimate light and compact portable fire pump
Dry 47kg / 103lbs



AUTHORIZED DISTRIBUTOR AND SERVICE CENTER :
PT. SABERINDO PACIFIC
Kompleks Mega Grosir Cempaka Mas
Blok J No. 10 Jl. Letjend. Suprpto, Jakarta 10640
Jakarta - Indonesia
Telp : +62 21 4288 8282 (Hunting)
Fax : +62 21 4287 2323
Website : www.saberindo.co.id
Email : info@saberindo.co.id



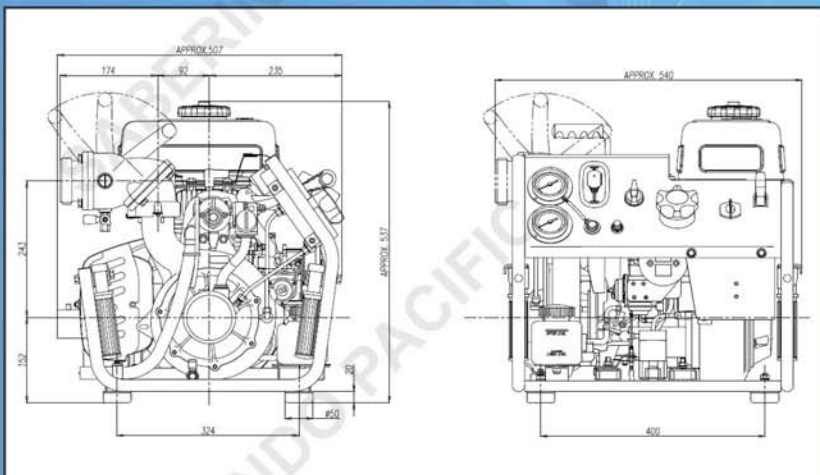
TOHATSU

PORTABLE FIRE PUMPS

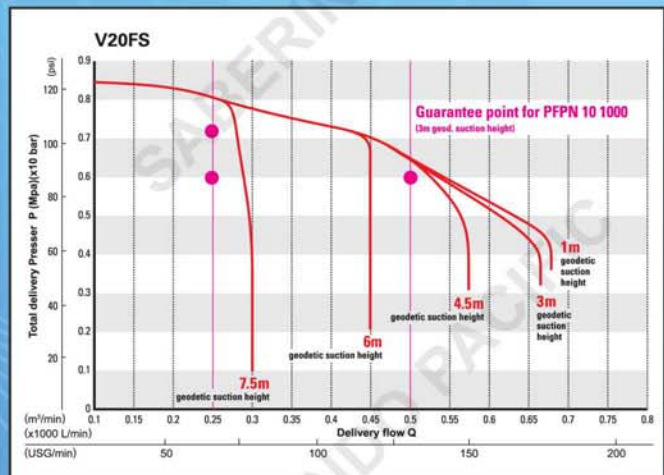
SPECIFICATIONS

MODEL	V20FS
Suction Port	JIS/BSP 2-1/2" Female
Discharge Port	JIS/BSP 2-1/2" Male
Discharge Valve	Ball Valve
# of Discharge Port	1
Bore X Stroke	66 X 58 mm
Displacement	198 cc
Output	8.6kW (11.7 PS)
Cooling System	Air Cooled
Fuel Tank Capacity	5.95 L
Fuel Consumption	5.9 L/H (at W.O.T.)
Starting System	Electric or Manual Starter
Lubrication	Auto Mixing
Priming Gauge	Mpa or Psi Gauge
Discharge Gauge	Mpa or Psi Gauge
Battery Charger	110V or 240V - DC 12V
Floodlight	Standard
Pump Label	Standard
Dry Weight (kg)	47
Operational Weight (kg)	52
Length (mm)	530
Width (mm)	507
Height (mm)	537
Rated Output at 0.6 Mpa	525 L/min
Max. Output at 0.8 Mpa	250 L/min

Outline Drawing



Performance Curve



The specifications and designs of the products are subject to change without prior notice for the purpose of improvement of the products