

GT-CT8900

COMBUSTIBLE GAS DETECTOR

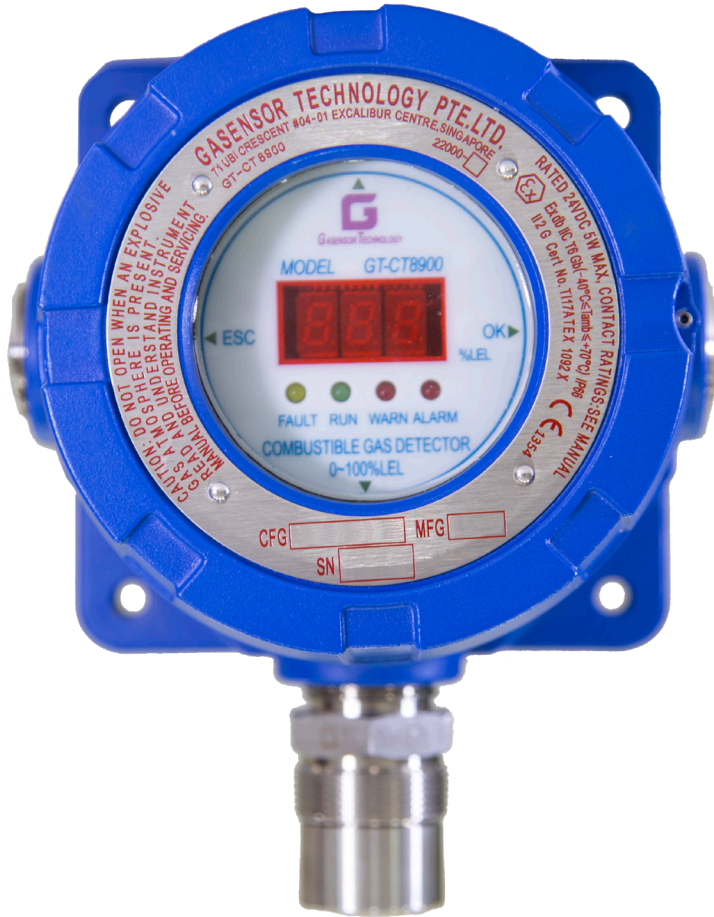


GASENSOR TECHNOLOGY

THE CHOICE FOR PERFORMANCE

Prioritise Performance

Protecting Life, Safe Guarding Asset



INTRODUCTION

GT-CT8900 is an intelligent combustible gas detector that adopts the smart sensor technology and features a safety function automatically identifies and determines the remaining usage life of the sensor.

GT-CT8900 also features the detection of different gas concentrations and provides a real-time fault diagnosis to ensure safe and effective operations

GT-CT8900 can monitor combustible gases presence consistently and continuously in installation sites. It provides 4-20mA current output and three sets of relay contacts for Warning/Alarm/Fault. In addition, there are dual redundant Modbus and HART communication interfaces for data transfer to third party system.

Ease of Use

- One person adjustment-free calibration
- Multiple gas type support

Multiple Outputs

- 4-20mA analog output
- Warning, Alarm and Fault Relay
- Redundant modbus and HART

Highly Reliable

- Event logging
- Real time fault diagnosis



GASENSOR TECHNOLOGY PTE LTD

71 Ubi Crescent, Excalibure Centre
Singapore 408571

Phone: (65) 6744-6268

Fax: (65) 6744-6269

Mail: sales@gasensor.com

Web: www.gasensor.com

Our Gas Detector deserve the best quality

Technical key points

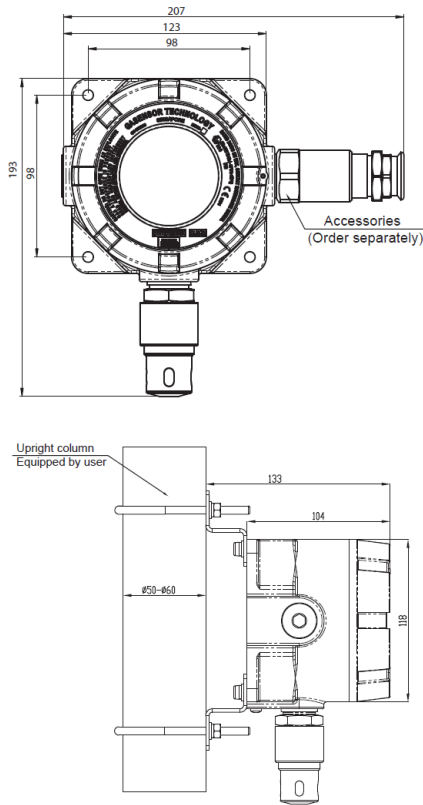


Figure 1: Outline and Mounting Dimensions

Electrical Specification

Input Power	24VDC nominal, 20-36VDC, 5W max
Analog Output	0-22mA (500 Ω max. load)
	<1 mA, Fault (1)
	1.5mA Gas Check, Calibration, Setup mode (2)
	4-20mA, Detection range
	20-22mA, Over-range
Baud Rate:	2400, 4800, 9600, or 19200BPS
HART:	HART7, HART Device Descriptor Language
(Optional)	available, AMS Aware
Relay Ratings:	8A @ 250 VAC / 8A @ 30 VDC res. max
(Optional)	Warning, Alarm, Fault
RS-485 Output:	Dual redundant Modbus RTU,
(Optional)	suitable for linking up to 128 units or up to 247 units with repeaters
Status Indicators:	Digital Display with 4 LED indicators for Warning, Alarm, Fault, Run
Cable Requirement:	Three wire shielded cable
	Max. distance between GT-CT8900 and power source @ 24VDC nominal: 12AWG - 1600m
	Max. distance for analog output (500 Ohms max): 12AWG - 4200m

Mechanical Specification

Housing:	Aluminum alloy or 316 Stainless steel
Cable Entry:	3/4" NPT
Weight:	1.8Kg (Aluminum) / 4.3Kg (Stainless steel)

Technical Data of the GT-CT8900 series

Product Specifications

Sensor Type:	Continuous diffusion, low temperature catalytic bead
Sensor Life:	3 to 5 years typical
Measuring Ranges:	0 ~ 100% LEL
Accuracy:	±3% LEL (≤ 50%LEL), ±5% LEL (> 50%LEL)
Response Time:	T50 <10 s, T90 <30 s with 100% LEL methane applied (T90 < 18 s typical value)
Zero Drift:	< 5% of full scale per year
Operating Mode:	Calibration, gas check, setup
Warranty:	Two years

Other Specifications

Classification	ATEX/ IECEx Ex db IIC T6 Gb IP66 (Tamb = -40 °C to + 70 °C)
	SIL 2 Certified

Environmental Specifications

Operating Temperature Range:	- 40°C to + 70°C / - 40°C to + 200°C (High temperature sensor optional)
Storage Temperature Range:	- 50°C to + 85°C
Operating Humidity Range:	5% to 100% RH, non-condensing

(1) Under HART, AO value can be either 3.5mA or 1.25mA, depending on user selection

(2) Under HART, AO value can be either 3.5mA or 1.5mA, depending on user selection
Specifications subject to change without notice.



GASENSOR TECHNOLOGY PTE LTD

71 Ubi Crescent, Excalibure Centre
Singapore 408571

Phone: (65) 6744-6268

Fax: (65) 6744-6269

Mail: sales@gasensor.com

Web: www.gasensor.com

Ordering Information

GT-CT8900 Combustible Gas Detector	
	A B C D E
Customized CFG:	GT-CT8900 <input type="checkbox"/> <input type="checkbox"/> <input type="checkbox"/> <input type="checkbox"/> <input type="checkbox"/>
STD CFG:	GT-CT8900 -1 -8 -1 -1 -1
A: Sensor Type	Description
1 std*	SST Sensor Body
2	AL Sensor Body
3	SST Sensor Body, Hi Temp
4	AL Sensor Body, Hi Te
5-99	Other
B: Output	Description
1	4-20mA + Relay + Modbus + Hart
2	4-20mA + Relay + Modbus
3	4-20mA + Relay + Hart
4	4-20mA + Relay
5	4-20mA + Modbus +Hart
6	4-20mA + Modbus
7	4-20mA + Hart
8 std*	4-20mA
9-99	Other
C: Relay State CFG	Description
1 std*	WARN dEn dLA, ALRM dEn dLA
2	WARN dEn dLA, ALRM En dLA
3	WARN En dLA, ALRM dEn dLA
4	WARN En dLA, ALRM En dLA
5	WARN dEn dLA, ALRM dEn LA
6	WARN dEn dLA, ALRM En LA
7	WARN En dLA, ALRM dEn LA
8	WARN En dLA, ALRM En LA
9-99	Other
D: Enclosure	Description
1 std*	AL
2	SST
E: Approvals	Description
1 std*	ATEX + IECEX
2-99	Other

Publication:#DS-GT-CT8900-F0821
GT-TD-DS.01



GASENSOR TECHNOLOGY PTE LTD

71 Ubi Crescent, Excalibure Centre
Singapore 408571

Phone: (65) 6744-6268
Fax: (65) 6744-6269

Mail: sales@gasensor.com
Web: www.gasensor.com