

ULTRA FL800

MULTI SPECTRUM

INFRARED FLAME DETECTOR



GASENSOR TECHNOLOGY
THE CHOICE FOR PERFORMANCE

Prioritise Performance

Protecting Life, Safe Guarding Asset

WHAT IS IT?

Ultra FL800 is a multi spectrum infrared (MSIR) flame detector based on artificial intelligence recognition technology. The new Ultra FL800 is enhanced with wider field of view (FOV) and further detection range.

The Ultra FL800 can see typical fires such as those produced by alcohol, heptane, gasoline, jet fuels and hydrocarbons. The Ultra FL800 is highly immune to false alarms for non-flame signals which can be learnt and enhanced against specific interference sources in new environment.



Multi Spectrum Infrared Sensor Array

- Increased range and wide field of view (FOV)
- Excellent false alarm immunity
- 3 individual LEDs of Green, Red and Amber for local display of Normal, Alarm and Fault operating conditions

Explosion Proof

- ATEX, IECEx
- FM Certified

Performance Approved Detection

- Approved by FM according to FM3260 and EN54-10



GASENSOR TECHNOLOGY PTE LTD

71 Ubi Crescent, Excalibure Centre
Singapore 408571

Phone: (65) 6744-6268
Fax: (65) 6744-6269

Mail: sales@gasensor.com
Web: www.gasensor.com

Our Flame Detector deserve the best quality

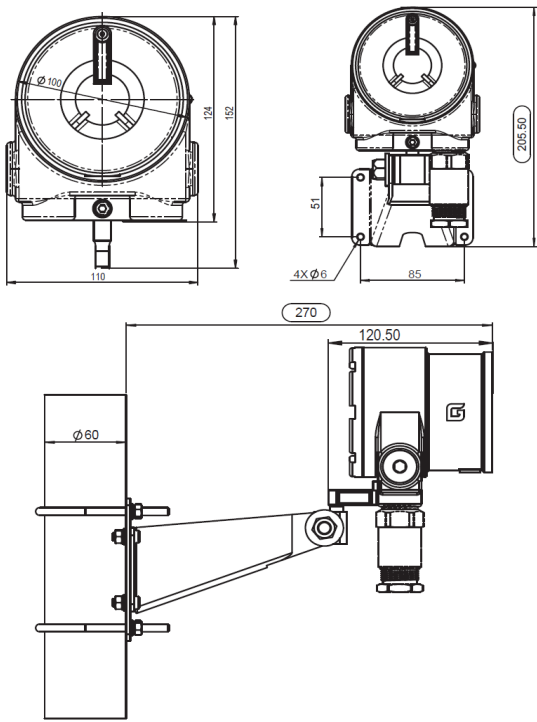


Figure 1: Outline and Mounting Dimensions

Technical key points

- SENSITIVITY SETTING : HIGH, MEDIUM, LOW, EXTRA LOW**
 Extra Low sensitivity setting gives the FL800 a better immunity to false alarm in extreme environment
- SEPARATED WARNING AND ALARM OUTPUT SIGNAL**
 Two levels of signaling output available to provide extended level of protection and prevention.
- CONTINUOUS OPTICAL PATH SCANNING**
 Keeps monitoring the permeability of the detector lens and makes sure the optical path is unblocked and detection result is reliable
- TEST MODE : CAN BE TRIGGERED WITH EXTERNAL TEST LAMP**
 Use portable test lamp to simulate real fire without triggering the alarm and verify the FL800 is function properly for peace of mind of asset protection

Technical Data of the Ultra FL800 series

Performance Specifications

Spectral Range:	2-5 microns (IR)
Maximum Range:	65m
Typical Response Time:	≤ 3s (at 30m with n-Heptane fire 0.1 square meter) ≤ 5s at 65m
Maximum Field of View:	100° Horizontal, 90° Vertical

Technical Specifications

Input Power:	20-36 VDC , 24 VDC @ 150mA (3.6W)
Analog Signal:	0-20 mA (500 ohms maximum), 3.5-20 mA (HART) Fault Mode: <1mA , Test Mode: 8mA ± 0.2mA , COPS Fault: 2mA ± 0.2mA Ready: 4mA ± 0.2mA , Warning: 16mA ± 0.2mA, Alarm: 20mA ± 0.2mA
Relay Contact Rating:	0.2 5A @ 250 VAC, 2 A @ 30 VDC res.max
Baud Rate:	4800, 9600, 19200, 38400 BPS
HART:	HART 7, HART Device Descriptor Language AMS aware available
Operating/Storage Temperature:	- 40°F to + 185°F (- 40°C to + 85°C)
Operating Humidity Range:	0% to 95% RH, non-condensing
Housing :	316 Stainless steel
Weight:	2.5Kg
Cable Entries:	Four entries 3/4 ins NPT
Warranty	Two Years
Standard Configuration:	Ultra FL800-1-1-1 (Four Infrared Spectrum, Analog output , Explosion-proof)

Classification

Explosion-proof :	ATEX/IECEx: II 2G Ex db IIC T5 / T6 Gb (Ta = - 40°C to + 85°C) , II 2D Ex tb IIIC T100°C Db IP67 FM: Class I, Div I, Group B, C, D ; Class II, III, Div 1, Group E, F, G, T5
SIL :	SIL 2 Certified

Publication:#DS-Ultra-FL800-E0821
GT-TD-DS.04



GASENSOR TECHNOLOGY PTE LTD

71 Ubi Crescent, Excalibure Centre
Singapore 408571

Phone: (65) 6744-6268
Fax: (65) 6744-6269

Mail: sales@gasensor.com
Web: www.gasensor.com

Ordering Information

Ultra FL800 Flame Detector	
Customized CFG:	Ultra FL800 <input type="checkbox"/> <input type="checkbox"/> <input type="checkbox"/>
STD CFG:	Ultra FL800 -1 -1 -1
	A B C
A: Sensor	Description
1 std*	Standard 4 IR Spectrum
2	UV/IR3
3	UV/IR3-H2
4	UV/IR
5 - 99	Other
B: Output	Description
1 std*	4-20mA
2	4-20mA + Hart
3	4-20mA + Modbus
4	4-20mA + Modbus +Hart
5	4-20mA + Relay
6	4-20mA + Relay + Hart
7	4-20mA + Relay + Modbus
8	4-20mA + Relay + Modbus + Hart
9	4-20mA Isolated (Sink / Source)
10	4-20mA Isolated + Hart (Sink / Source)
11	4-20mA Isolated + Modbus (Sink / Source)
12	4-20mA Isolated + Modbus +Hart (Sink / Source)
13	4-20mA Isolated + Relay (Sink / Source)
14	4-20mA Isolated + Relay + Hart (Sink / Source)
15	4-20mA Isolated + Relay + Modbus (Sink / Source)
16	4-20mA Isolated + Relay + Modbus + Hart (Sink / Source)
17 - 99	Other
C: Approvals	Description
1 std*	ATEX + IECEx
2	ATEX + IECEx + FM +EN54-10
3 - 99	Other

Publication:#DS-Ultra-FL800-E0821
GT-TD-DS.04



GASENSOR TECHNOLOGY PTE LTD

71 Ubi Crescent, Excalibure Centre
Singapore 408571

Phone: (65) 6744-6268
Fax: (65) 6744-6269

Mail: sales@gasensor.com
Web: www.gasensor.com