

Apollo PE Monitor

STYLE 3419

The Style 3419 Apollo PE (Portable Electric) monitor is the latest edition to the Apollo monitor product line. The 3419 combines high flow 1250 gpm capabilities with a self contained battery and electronic control system. The integrated control system uses fully sealed IP 67 rated connectors and features built-in wireless control with programmable oscillation. The quick change battery system provides extended run times and is compatible with 12 or 24 volt systems. When mounted on the truck, the 3419 provides 1250 gpm with 355° of horizontal travel. When disconnected from the truck and used on a standard Apollo ground base, the Apollo PE provides an industry leading 1000 gpm with 180° of horizontal range. This combination of versatility and flexibility make the Apollo PE an excellent choice for firefighting, exposure control, or Haz-Mat mitigation.



Style 3600
Wireless Remote

Standard Features:

- Wireless control
- Lightweight Pyrolite® construction
- Integrated and sealed electronics
- Waterproof (IP 67 rated) locking connectors
- Simple “plug and play” installation
- Rotation Range
 - 355° on truck
 - 180° on ground base
- Elevation Range
 - +75°, - 20° on truck
 - +75°, +35° on ground base
- 12V or 24V operation
- Quick change rechargeable battery system
- 3 hour battery life flowing 1000 gpm continuous oscillation



Style 3419
Shown with 5177
1250 gpm Nozzle

| Style | Weight lbs. (kg) | | Deck Height | Deck Width | Deck Depth | Inlet | Outlet | Ground Flow | | Deck Flow | |
|-------|------------------|------------------------------------|---------------------|-----------------|---------------------|---|------------------------|----------------------|----------------------|----------------------|----------------------|
| | Liftoff | Ground Base | | | | | | GPM | LPM | GPM | LPM |
| 3419 | 45 (20.5 kg)* | Single Inlet 38 1/2" (17.5 kg)* | 14 1/2" (356 mm) | 15" (381 mm) | 18 3/8" (467 mm) | Single Inlet 3 1/2" - 5" F (89-125 mm) 4", 5" STORZ (100, 125 mm) | 2 1/2" Male (65 mm) | Single Inlet 1000 | Single Inlet 3800 | Single Inlet 1250 | Single Inlet 4800 |
| | | Dual Inlet 32 (14.5 kg)* | | | | | | Dual Inlet 800 | Dual Inlet 3030 | Dual Inlet 1250 | Dual Inlet 4800 |

* Less nozzle



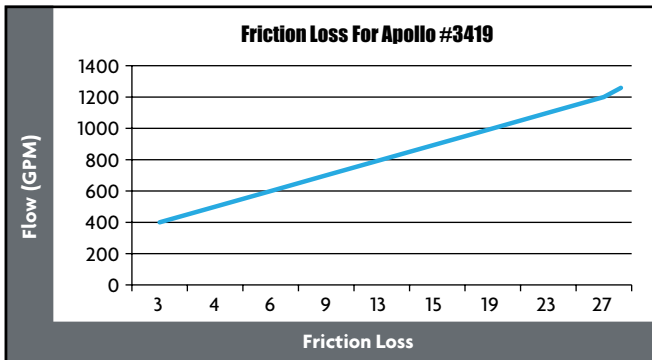
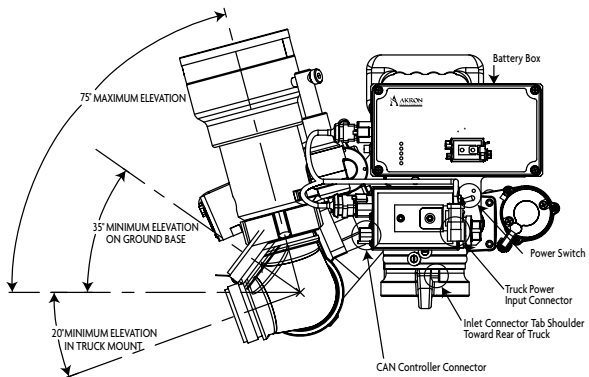
Nozzle Options:

- Style 5177 Akromatic 1250
- 2499 quad stacked tips, with 3485 mini shaper
- 2498 triple stacked tips, with 3485 mini shaper



Additional Options:

- CAN proportional speed joystick
- CAN panel mount control station
- Spare battery storage/charging bracket



| Nozzle Style | Nozzle Pressure | | Actual Flow | | Straight Stream Reach* | | | |
|--------------|-----------------|-----|-------------|------|------------------------|--------|---------|--------|
| | PSI | BAR | GPM | LPM | Effective | | Overall | |
| | | | | | FEET | METERS | FEET | METERS |
| 5177 | 80 | 5.5 | 250 | 950 | 140 | 42 | 160 | 48 |
| | | | 500 | 1900 | 210 | 64 | 220 | 67 |
| | | | 750 | 2900 | 245 | 75 | 260 | 79 |
| | | | 1000 | 3800 | 270 | 82 | 285 | 86 |
| | | | 1250 | 4800 | 295 | 90 | 305 | 93 |