

MT 2400 Monitor Trailer



Description

FFS MT2400 Monitor Trailer is designed for high volume flows from 4000 gpm up to 12000 gpm and capable of inducing foam solution at the monitor nozzle.

The trailer are built from 316 stainless with integrated ballast tank / dual axle self lowering suspension to reduce set up time and bring inlet manifolds as close as possible to the surface. The 4 stabilizer jacks are fitted with dual speed hand crank gear box to further reduce set up time.

Ergonomically configured low friction loss water inlet manifold are manufactured from 316 stainless steel to match customers specific requirements, optimizing spacing and easy access while ensuring couplings are as low as possible for easy coupling and de-coupling of large diameter hose.

Easy step on and off access are provided to the front of the trailer with integrated non-slip step with permanently mounted hand rail. The monitor deck are configured with non slip grating. The ballast tank fill valve are fitted at the deck level to facilitate easy access and operation from the deck or the rear end of the trailer monitor.

The monitor and nozzle design are optimized by using state of the art fluid dynamics using dual yoke water-way for minimal internal pressure losses in combination with excellent throw characteristics. The monitors are of compact and robust design and require minimal maintenance.

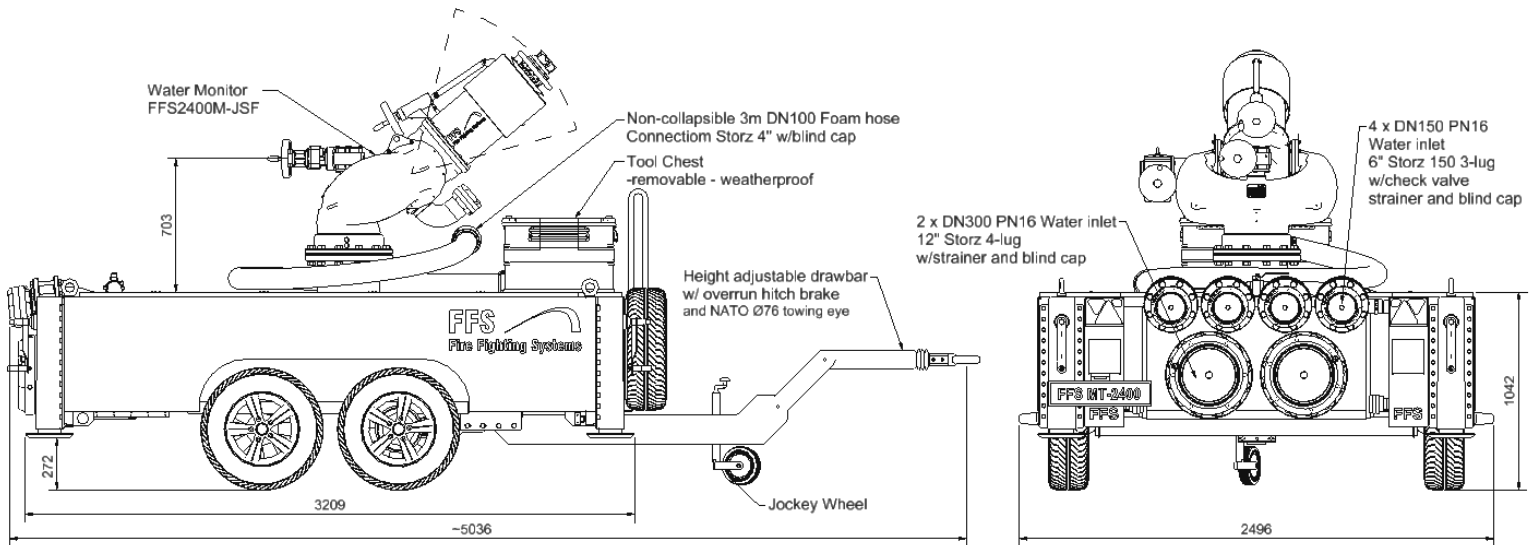
Variable flow setting are easy adjustable directly on the nozzle to suite any volume or pressure range setting from 4000 to 12000 gpm.

The monitor movement are controlled via gear drives that allow for swift and easy movement while flowing water regardless of angle. Trailer tow hitch are nato pintle type or ball type based on customer requirements. The trailers are configured with EU, standardized lighting package configuration.

Main castings, welding and machining of parts are all done in Scandinavia. Each unit is assembled, pressure- and function tested in our 8,000 sq. m. factory in Sweden with highly qualified personnel and the latest ISO 9001 management system.

MT 2400 Monitor Trailer

Specifications



Type

Monitor trailer MT 2400

MONITOR

Nozzle flow rate

Adjustable 4000 to 12,000 US gpm) variable stream pattern hand wheel adjusted

Nominal Pressure

7-10 bar (100-145 psi)

Design Pressure

16 bar (232 psi)

Nozzle material

High quality 316 Stainless Steel / Ni-Al Bronze materials

Rotation

360° Hand wheel gear

Elevation

+15° to +80° hand wheel gear

Hydrostatic Test

1.5 MAWP

Monitor material

High quality Stainless Steel / Ni-Al Bronze materials

Foam Connection

4" (100 mm) Swivel with Storz coupling

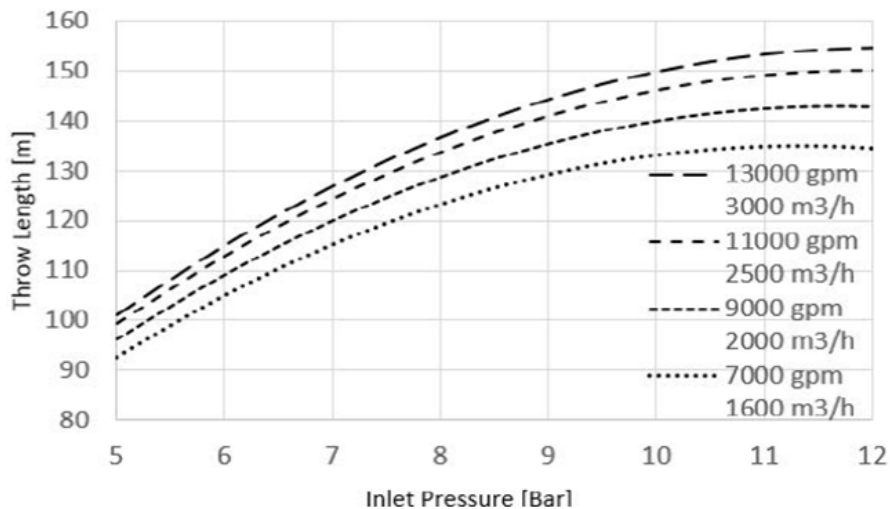
Monitor flange

DIN DN300 Twelve inch (12") 304 mm

Pressure gauge

Glycerine filled pressure gauge with measurement in metric and imperial

THROW CURVE



MT 2400 Monitor Trailer

Specifications

MANIFOLD

Primary inlets	2 x 12" (300 mm) /4 lug Storz hard coated anodized aluminium
Secondary inlets	4 x 6" (150 mm) /3 lug Storz hard coated anodized aluminium with non return valves
Manifold diameter	12" (304mm)
Manifold material	AISI 316 L
Flange bolts	A4 Stainless steel

TRAILER BODY

Frame & Chassis	AISI 316 L
Dry Weight	4,299 lb (1,950 kg)
Ballast Reservoir Capacity	792 gallon (3,000 L)
Ballast drains	2 x 2" AISI 316 ball valves
Total Wet Weight	Approx. 11,023 lb (5,000 kg)
Support Legs	4 x dual speed adjustable
Drawbar	Height-adjustable, NATO Ø76 or ball type
Jockey wheel	Heavy duty height adjustable
Brakes	Mechanical with over run hitch brake
Hand brake	Mechanical lever with adjustable tension linkage
Axles	Dual axle with lowerable chassis
Wheels and tyres	15" Aluminium
Electrical	EU road regulations 12 volt
Reflectors side	Amber
Reflectors rear and front	Red

PAINT

Primer	Base coat grey epoxy min.DFT 100µm
Top coat	Top coat RAL 3002 PUR min.DFT 75µm

ACCESSORIES

- 1 x Equipment tool box (removable)
- 1 x 10ft (3 m) x 4" (100 mm) non collapsible solution hose with 4" (100 mm) Storz couplings
- 1 x 4Clappered Siamese with 4" (100 mm) Storz Couplings
- 1 x 4" Storz blank cap
- 4 x 6" Hard coated anodized Storz blank cap with safety lanyard
- 2 x 12" Hard coated anodized aluminium blank cap with safety lanyard
- 2 x 6" jumbo Storz spanners
- 2 x 12" Storz power bars
- 1 x Spare wheel
- 1 x Wheel spanner